

Product data sheet

Specifications



soft starter for asynchronous motor,
Altistart 48, 96A, 208 to 690V, 22 to
90kW

ATS48C11Y

! Discontinued

! Discontinued on: Aug 7, 2023

! To be end-of-service on: Dec 31, 2030

Product availability: Non-Stock - Not normally stocked in distribution facility

Main

Range of Product	Altistart 48
Product or Component Type	Soft starter
Product destination	Asynchronous motors
Product Specific Application	Heavy duty industry and pumps
Device short name	ATS48
Utilisation category	AC-53A
Ue power supply voltage	208...690 V - 15...10 %
power supply frequency	50...60 Hz - 5...5 %
Motor power kW	22 kW 230 V for severe applications 30 kW 230 V for standard applications 45 kW 400 V for severe applications 45 kW 440 V for severe applications 55 kW 400 V for standard applications 55 kW 440 V for standard applications 55 kW 500 V for severe applications 55 kW 525 V for severe applications 75 kW 500 V for standard applications 75 kW 525 V for standard applications 75 kW 660 V for severe applications 75 kW 690 V for severe applications 90 kW 660 V for standard applications 90 kW 690 V for standard applications
Maximum Horse Power Rating	100 hp 575 V for standard applications 25 hp 208 V for severe applications 30 hp 208 V for standard applications 30 hp 230 V for severe applications 40 hp 230 V for standard applications 60 hp 460 V for severe applications 75 hp 460 V for standard applications 75 hp 575 V for severe applications

Complementary

Device connection	In the motor supply line
Protection type	Phase failure line Thermal protection motor Thermal protection starter
Standards	IEC 60947-4-2

Price is "List Price" and may be subject to a trade discount – check with your local distributor or retailer for actual price.

Product Certifications	GOST TCF CCC SEPRO NOM 117 C-tick CSA UL DNV
Marking	CE
Discrete input number	5
Discrete input type	PTC, 750 Ohm 77 °F (25 °C) Stop, Run, LI3, LI4) logic, <= 8 mA 4300 Ohm
Discrete input logic	Positive logic Stop, Run, LI3, LI4 < 5 V <= 2 mA > 11 V, >= 5 mA
Minimum switching current	10 mA 6 V DC relay outputs
Discrete output number	2
Discrete output type	LO1) logic output 0 V common configurable LO2) logic output 0 V common configurable R1) relay outputs fault relay NO R2) relay outputs end of starting relay NO R3) relay outputs motor powered NO
Analogue output type	Current output AO 0-20 mA or 4-20 mA 500 Ohm
Communication Port Protocol	Modbus
Connector Type	1 RJ45
Communication data link	Serial
Physical interface	RS485 multidrop
Transmission Rate	4800, 9600 or 19200 bps
Function Available	External bypass (optional)
Operating position	Vertical +/- 10 degree
Height	11.4 in (290 mm)
Width	7.5 in (190 mm)
Depth	9.3 in (235 mm)
Net Weight	18.3 lb(US) (8.3 kg)

Environment

Electromagnetic compatibility	Conducted and radiated emissions level A conforming to IEC 60947-4-2 Conducted and radiated emissions level B conforming to IEC 60947-4-2 Damped oscillating waves level 3 conforming to IEC 61000-4-12 Electrostatic discharge level 3 conforming to IEC 61000-4-2 Immunity to electrical transients level 4 conforming to IEC 61000-4-4 Immunity to radiated radio-electrical interference level 3 conforming to IEC 61000-4-3 Voltage/current impulse level 3 conforming to IEC 61000-4-5
Relative humidity	0...95 % without condensation or dripping water IEC 60068-2-3
Ambient air temperature for operation	104...140 °F (40...60 °C) (with current derating of 2 % per °C) 14...104 °F (-10...40 °C) (without derating)
Ambient Air Temperature for Storage	-13...158 °F (-25...70 °C)
Operating altitude	<= 3280.84 ft (1000 m) without derating > 3280.84...6561.68 ft (> 1000...2000 m) with current derating of 2.2 % per additional 100 m

Ordering and shipping details

Category	US1CP1G22579
-----------------	--------------

Discount Schedule	CP1G
GTIN	3389110982343
Returnability	Yes
Country of origin	ID

Packing Units

Unit Type of Package 1	PCE
Number of Units in Package 1	1
Package 1 Height	14.37 in (36.5 cm)
Package 1 Width	12.01 in (30.5 cm)
Package 1 Length	15.75 in (40 cm)
Package 1 Weight	23.495 lb(US) (10.657 kg)
Unit Type of Package 2	P06
Number of Units in Package 2	2
Package 2 Height	28.94 in (73.5 cm)
Package 2 Width	31.50 in (80 cm)
Package 2 Length	23.62 in (60 cm)
Package 2 Weight	75.649 lb(US) (34.314 kg)

Contractual warranty

Warranty	18 months
----------	-----------

Environmental Data

Schneider Electric aims to achieve Net Zero status by 2050 through supply chain partnerships, lower impact materials, and circularity via our ongoing “Use Better, Use Longer, Use Again” campaign to extend product lifetimes and recyclability.

[How this information helps you >](#)

Use Better

Materials and Substances

EU RoHS Directive

**Pro-active compliance
(Product out of EU RoHS legal scope)**

SCIP Number

Fb0e016f-7168-4cf9-816d-12b428ae149a

China RoHS Regulation

[China RoHS declaration](#)

California proposition 65

WARNING: This product can expose you to chemicals including: Lead and lead compounds, which is known to the State of California to cause cancer and birth defects or other reproductive harm. For more information go to www.P65Warnings.ca.gov

Use Again

Repack and remanufacture

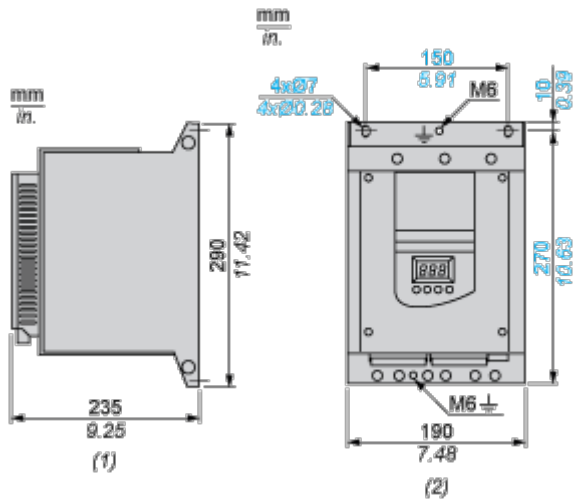
WEEE



The product must be disposed on European Union markets following specific waste collection and never end up in rubbish bins.

Dimensions Drawings

Dimensions



(1) Right View
(2) Front View

Mounting and Clearance

Clearance

